

10800 m³/hour LASER DUST COLLECTOR

Sept 20

The TR-100B Pulse Jet Cartridge Dust Collector, with its technical parameters as below, offers an ideal solution for fiber laser dust extraction and will connect to the G Weike fiber laser dust extraction system especially where it is operating with a combined tube cutting operation



TR-100B Pulse Jet Cartridge Dust Collector Technical Data Sheet

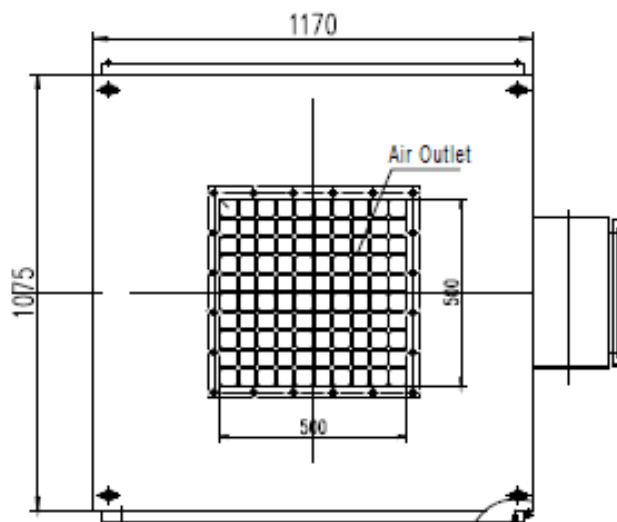
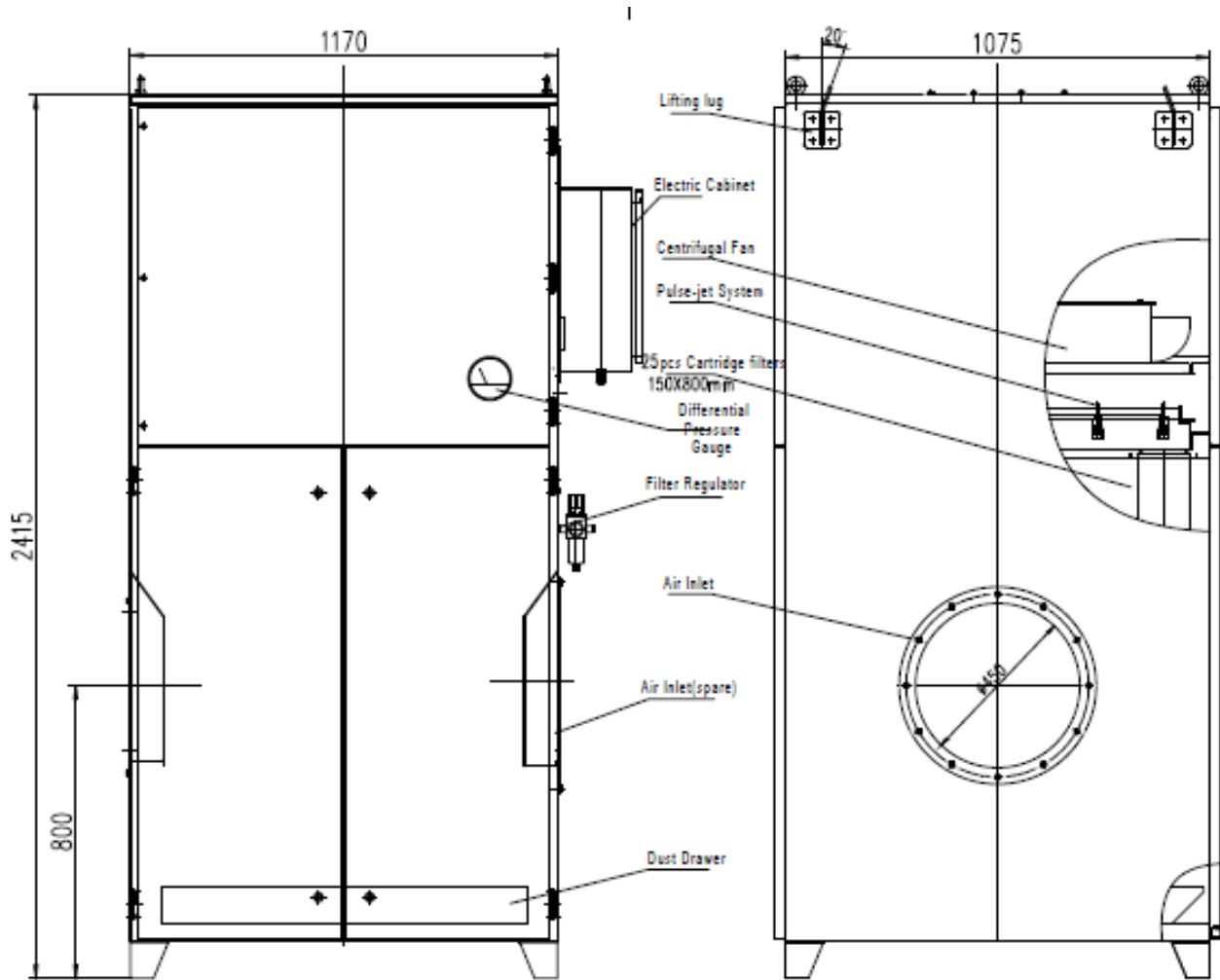
Design Capacity	8489~10800 m ³ /h	Filter Cartridge Material	Polyester
Fan Total Pressure	2700~2200 Pa	Filter Area	75 m ²
Deashing Mode	Pulse Jet Blowback	Main Motor Power	15 Kw
Design Temperature	《80 °C	Power Supply	~380V 50Hz
Air Source	0.4~0.6 MPa	Equipment Material	Q235-A or SUS304
Dimensions(LXWXH)	See drawing	Collection Efficiency	99.9%(1.0 μ m)

Advantages

- 24-year professional customized design capacity and manufacturing experiences in dust collector industry for supplying better dust collector solutions since 1996, reliable vendor ensured
- One-stop service from sophisticated custom-built design with aesthetics, professional sales response to strict internal QC inspection and excellent support of after-sales service
- ISO9001:2008, ISO14001: 2004, OHSMS: GB/T28001-2001 certificated proved, products quality guaranteed
- Use advanced laser cutting machine to cut steel plate, its utility, high quality along with its consistency guaranteed
- Use one installed design
- Larger filter area
- Filter cartridge being more pressure-resistant and having longer service life
- Less pressure consumption; Low power consumption
- Stable performance, higher dust cleaning efficiency
- Easy in operation and maintenance and use, the smallest maintenance
- Low running resistance; Low cost
- Simple and compact structure requiring small floor area

10800 m³/hour LASER DUST COLLECTOR

Sept 20



Technical Parameter

Airflow(Nm ³ /h)	8489-10800	Available Pressure	1200(Pa)
Filter Area(m ²)	75	Motor Power(Kw)	15
Deaching Mode	Pulse-jet	Filter Material	Polyester
Temperature(°C)	< 80	Efficiency	F9
Air Source(MPa)	0.4~0.6	Power Supply	~380V 50Hz